

RENAULT TRAFIC PASSENGER VEHICLE



DRIVE THE CHANGE



**TRAFIC PASSENGER VEHICLE
TRAVEL IN COMFORT,
MAKE SPACE FOR YOUR NEEDS, ECONOMICALLY.
THE NEW TRAFIC 9 SEATER...**



**AN IRRESISTIBLE INVITATION
TO GET UP AND GO.**





FLEXIBILITY IS SECOND NATURE

The Trafic Commercial Passenger Vehicle serves as a large people and goods carrier making it ideal for transporting your employees or clients:

- Eight or nine seat versions available (nine as standard)

Trafic offers excellent versatility with numerous storage options and an adaptable loading area:

- Choose between two wheelbases
- Large and adaptable loading area: Up to 3.4 m³ with the bench seat folded





THE ART OF TRAVEL

The Traffic Phase 3 Passenger Vehicle gives you a comfortable journey with a complete suite of equipment. You can save time on journeys with the reliability of Carminat TomTom® navigation. The navigation remote control has its own storage space, there's a new A4 compartment on the dashboard to hold your documents, and central storage pockets make the most of all the free room available. Climate control guarantees everyone's comfort, the trip computer monitors your fuel consumption and the new range offers Bluetooth® technology and connectivity for your portable devices*.

* With the multi-functional TunePoint

Note: Some features may be optional depending on version





IT'S TIME TO CHANGE.

The environmentally-friendly Traffic Phase 3 is all about modern comforts. Its engine is designed around the latest technological advances to reduce emissions to 195g of CO₂ per km. Built in an ISO 14001 certified factory, the Traffic Phase 3 includes over 11% recycled plastic and gives a recoverable mass of 95% at end of life. That's why the Traffic Phase 3 carries the Renault eco2 label, through which Renault shows its commitment to the vehicle's complete lifecycle. It's a unique distinction that's well deserved.



SAFETY ON A GRAND SCALE

When it comes to safety, the Trafic Phase 3 raises the bar. Now, cruise control adds to a whole group of safety devices in the range. It's activated from the dashboard for perfect ergonomics, and controls are easily reachable on the steering wheel. Being forewarned about everyday risks is the first link in a safety chain that uses the most innovative systems, such as automatic headlights and wipers. So in difficult situations, the Trafic Phase 3 helps you to stay in control: ABS brakes coupled with EBD (Electronic Brake Distribution), and with the help of Brake Assist plus dynamic ESP (Electronic Stability Programme) driving control help you keep on track at all times.

Finally, to protect driver and passengers, there are various airbags as standard or optional (driver airbag, passenger airbag and front curtain airbags). And that's not to mention top class safety belt systems, and ISOFIX fixings that secure the position of child seats.

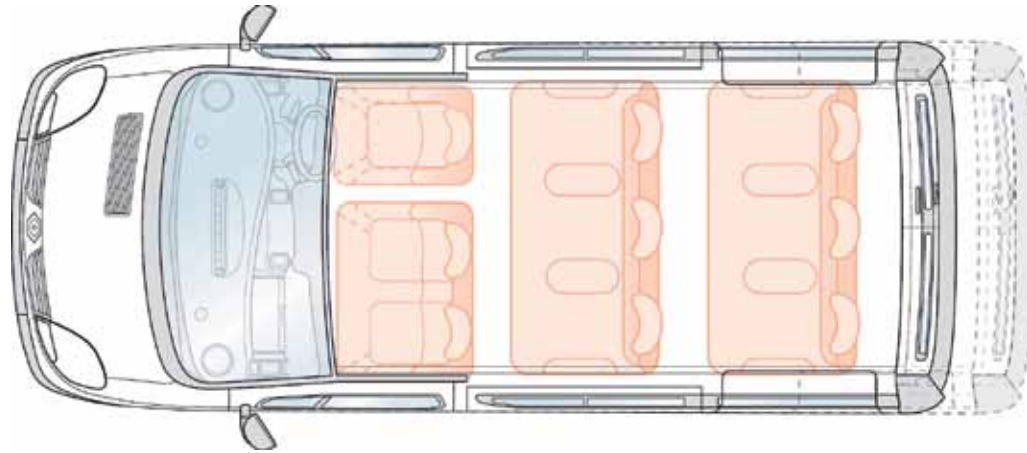
Note: Some equipment may be optional depending on version



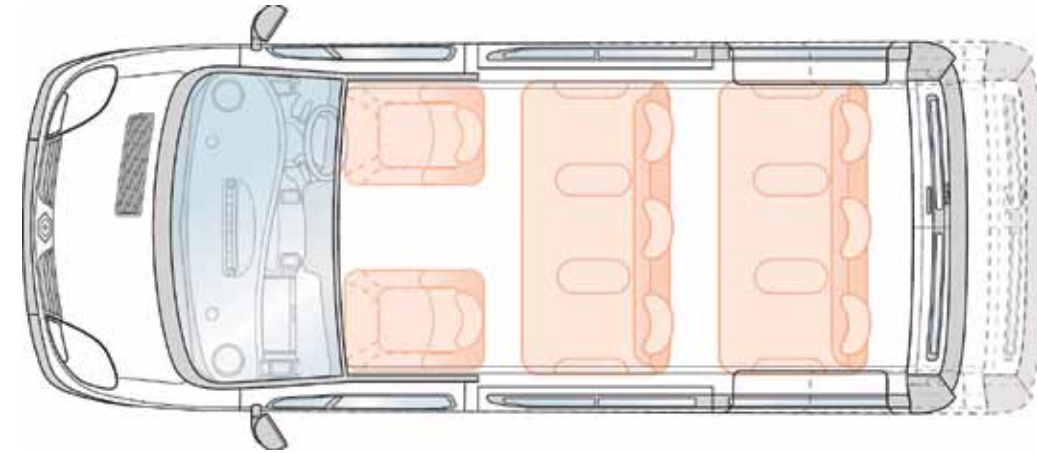
PASSENGER DIMENSIONS AND SEAT LAYOUTS

	Boot-to-parcel shelf volume (m ³)	Under-roof volume (m ³)	Under-roof volume with third row of seats folded (m ³)
Short wheelbase low roof 2.7t	0.7	1.2	2.5
Short wheelbase low roof 2.9t	0.7	1.2	2.5
Long wheelbase low roof 2.9t	1.1	2.2	3.4

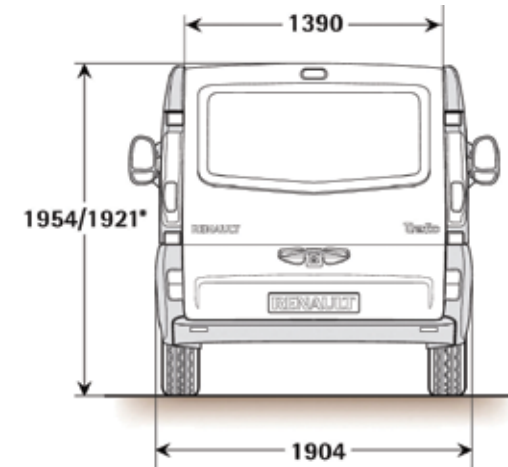
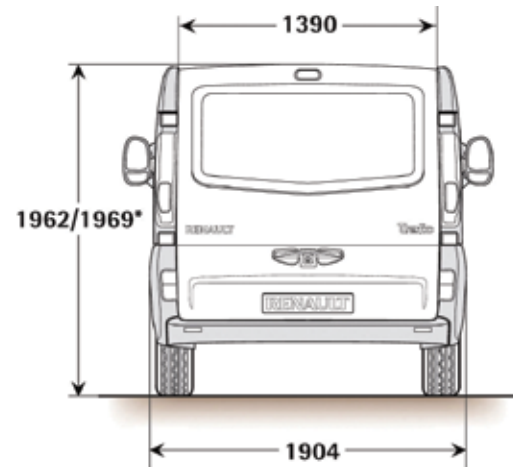
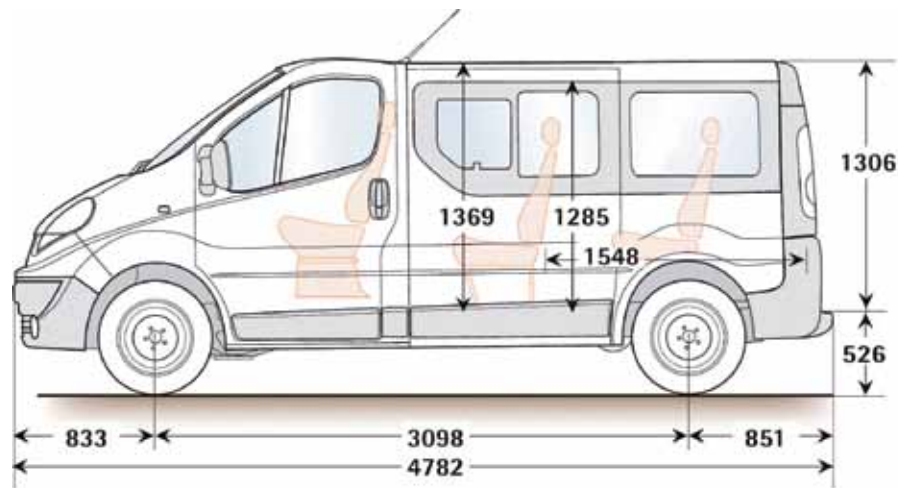
9 SEATS (STANDARD)



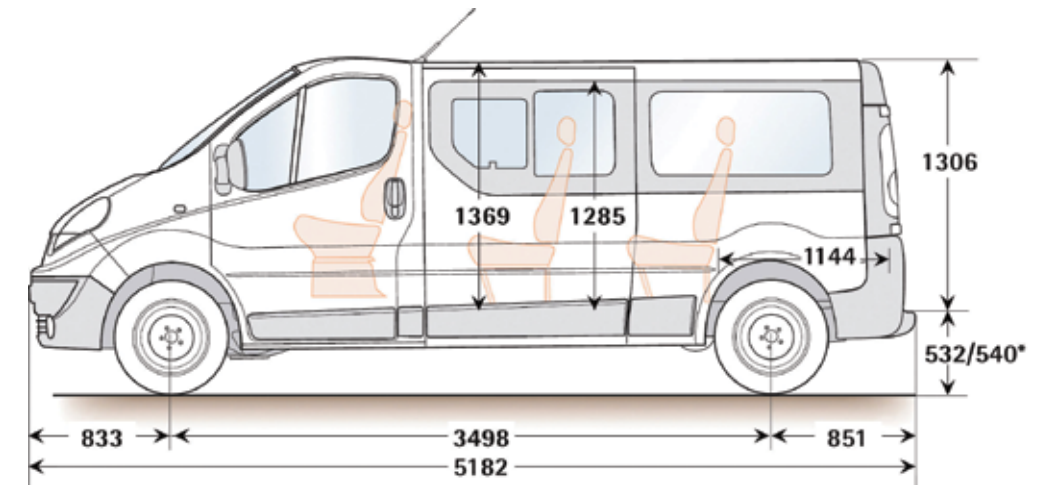
8 SEATS (OPTIONAL)



SHORT WHEELBASE LOW ROOF



LONG WHEELBASE LOW ROOF



* Depending on engines

EQUIPMENT



1

1. SLIDING SIDE DOORS

Make access to the 2nd and 3rd rows quick and easy.

2. FRONT DOOR STORAGE

Can hold a 2L bottle of water and a clipboard or diary.

3. GLOVEBOX

Big enough to hold a 1.5 L bottle, and practical, with a sunglasses holder built into the door. It is also lit and cooled (if you have air conditioning).

4. BOOT WITH LUGGAGE SUPPORTING NET

Gives 2,150L of usable volume under the roof in the LWB version. The luggage supporting net protects passengers from items moving about during any sudden hard braking.



2



3



4



5

5. RECLINING SEAT BACK AND FOLDING BENCH SEAT

On the third row, the seat back can be reclined and/or folded to give a large loading area in double quick time (2,500 litres of usable space on the Passenger SL, yet still with up to 6 seats).

6. REMOVABLE BENCH SEAT

The last row of the Passenger's seats can be easily removed, freeing up to 4 m³ of usable space.



6

COMFORT

1. RADIO CD MP3 BLUETOOTH® AND AUX POINT*

Play your MP3 files, and use your hands-free kit to stay connected wherever you are.

*We recommend you pull over into a safe place before using the phone.

2. MULTI-FUNCTIONAL TUNEPPOINT

Connect your music player using the USB and iPod plugs, then operate the system through the steering wheel controls.



3. CARMINAT TOMTOM®

Calculate the best route with real time traffic information, speed camera alerts and everything clearly displayed on the large colour screen. This lets you save time and reduce fuel consumption, too. European maps are available as an option.

4. TRIP COMPUTER

Displays information such as distance covered, average speed, total and average fuel consumption, current speed and remaining fuel range.



5. ELECTRIC PACK

Front electric windows and self-defrosting electric mirrors.

6. STEERING WHEEL - LEATHER

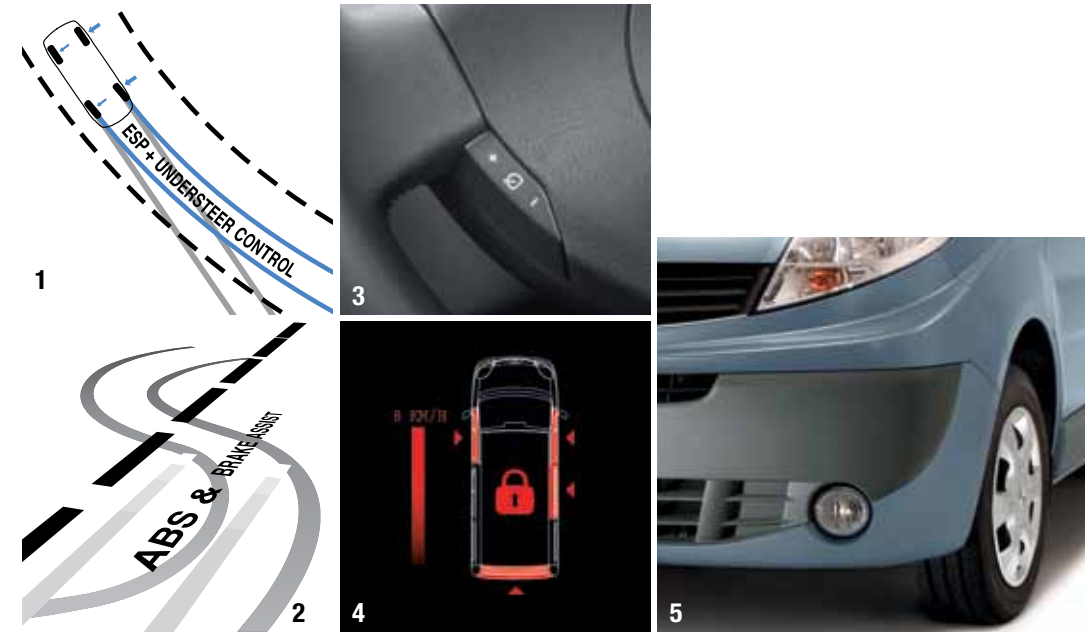
7. CLIMATE CONTROL

With electronic temperature settings and displays, quick demist and a sunshine sensor.

8. AIR CONDITIONING



SAFETY



1. ESP (ELECTRONIC STABILITY PROGRAMME)

With ASR traction control and engine torque control. It detects the load level to adjust its activation point and give you the best possible corrections in direction.

2. ABS WITH BRAKE ASSIST

Anti-lock braking system, with Electronic Brake Distribution (EBD) and Brake Assist.

3. CRUISE CONTROL

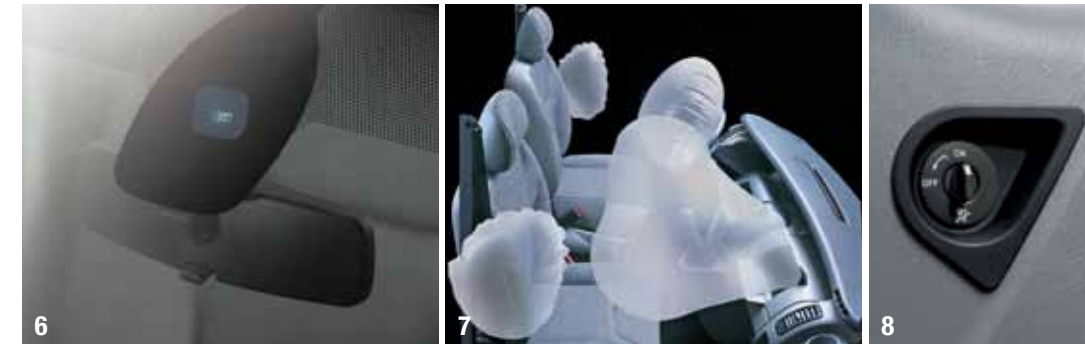
Gives the driver full control over acceleration, slowing and braking for any speed below the one that is selected. In an emergency, where instant acceleration is needed, a 'kick-down' system overrides the cruise control.

4. R.A.I.D. (RENAULT ANTI INTRUDER DEVICE)

Automatic door locking when driving - for increased safety, doors automatically lock at speeds over 5mph (8km/h).

5. FRONT FOG LIGHTS

Improve visibility in fog or heavy rain.



6. AUTOMATIC HEADLIGHTS AND WIPERS

Detects levels and automatically adjusts the strength of your headlights and windscreen wiper speed. The sensitivity can be adjusted by the driver.

7. AIRBAG SYSTEM

There are various airbags as standard or optional on the Trafic: driver airbag, passenger airbag and front curtain airbags (availability depends on version).

8. PASSENGER AIRBAG DEACTIVATION

This lets you use a child seat in the front (regulations permitting).

TRIM



STANDARD

Trimmed in 'Galatone' upholstery (1), the Trafic Passenger offers fittings like power steering as standard, plus ABS and Brake Assist.



COLOURS



D31 Apollo White (NM) 489 Atlantic Blue (NM) D32 Desert Yellow (NM) C70 Laser Red (NM) G64 Lightning Silver (MS) J43 Panorama Blue (MI)
 I44 Intense Blue (MI) D47 Storm Blue (MI) D92 Ocean Green (MI) 266 Gun Metal Grey (MI) C66 Topaz (MI) D68 Jet Black (MI)

NM = Non Metallic Paint MS = Metallic Supergloss Paint MI = Metallic Illusion

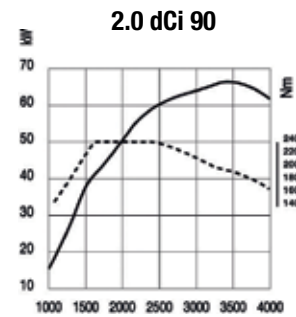
It should be noted that printing limitations do not permit the subtle paintwork shades on these pages to be shown with absolute accuracy. Only personal inspection of the Trafic at your Renault Dealer will reveal it in its true colours. From time to time changes are made to the colour range. Please check availability with your Renault Dealer.

UPHOLSTERY AND WHEELS



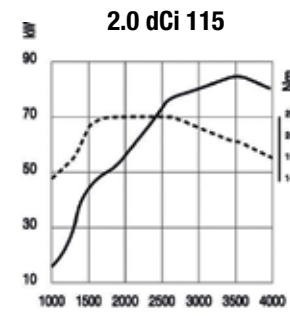
1. 'GALATONE' TRIM
 2. 'ELBA' TRIM
 3. 'BLUE ELBA' TRIM
 4. LARGE WHEEL STYLERS (standard)
 5. ALLOY WHEEL (optional)

ENGINES



2.0 dCi 90

Ideal in urban areas, it has 240 Nm (175 ft/lb) of torque.



2.0 dCi 115

With a maximum torque of 290 Nm (214 ft/lb), this delivers an excellent balance of performance and consumption. The 2.0 dCi Renault engine offers the best in diesel technology. It's environmentally friendly, quiet, smooth and lively at all speeds, while staying fuel efficient and reliable.



AUTOMATIC QUICKSHIFT SIX-SPEED GEARBOX

Whether you choose fully automatic or manual mode, its technology combines and makes the most of the best in automation, comfort and safety, while keeping all the driving qualities of a traditional clutch.

EQUIPMENT

CORE FEATURES

- 3 years AA roadside assistance
- 3 year / 100k mile warranty (2 years unlimited mileage)
- 4 brake discs
- 4 x 20W single CD MP3 radio with Bluetooth® and aux point
- 6 speed gearbox
- ABS with EBD (Electronic Brake Distribution)
- Carminat TomTom® navigation system (UK map)
- Deadlocking
- Driver's airbag
- Driver's seat - height adjustable
- Front passenger bench seat
- 'Galatone' trim
- Insurance approved (Thatcham category 1) alarm and immobiliser
- Power assisted steering
- R.A.I.D. (Renault Anti Intruder Device)
- Rear glazed tailgate (heated wash / wipe)
- Remote central locking with deadlocking
- Second row triple bench seat
- Third row triple bench seat
- Side loading doors (left and right) – glazed
- Spare wheel with anti-theft spare wheel holder
- Tinted windows
- Wheel stylers - large

TECHNICAL SPECIFICATIONS

	2.0 dCi 90	2.0 dCi 115	2.0 dCi 115 Quickshift6
ENGINE			
Cubic capacity (cm3) / No. cylinders / valves	1996 / 04 / 16	1996 / 04 / 16	1996 / 04 / 16
Maximum power kW CEE (hp) @ rpm	66 (90) / 3500	84 (115) / 3500	84 (115) / 3500
Maximum torque Nm CEE @ rpm	240/1600	290/1600	290/1600
Injection type	Commonrail + fixed turbo		
Fuel and volume of tank (L)	Diesel - 90		
Depollution level / catalytic converter	Euro 4 / ●	Euro 4 / ●	Euro 4 / ●
6 speed gearbox	Manual	Manual	QS
STEERING AND BRAKING			
Power-assisted steering / reference rims 16"			
Ø steering between pavements/walls (m)	Short wheelbase: 11.84/12.40 Long wheelbase: 13.7/13.73		
A.B.S. with AFU and EBD / adaptive ESP with ASR	● / ○	● / ○	● / -
Front: ventilated discs, Rear: full discs (Ø/width (mm))	305/28 - 280/12		
PERFORMANCE			
Maximum speed mph (km/h)	90 (145)	99 (160)	99 (160)

● = Standard ○ = Optional - = Not available

Technical specifications reflect May 2010 data. Because of upcoming changes in emissions standards regulations, it is necessary to check with your Renault Dealer before purchasing any product that the technical specifications of the vehicle on order are as advertised.

	Versions	Wheelbase	Height	Number of seats	CO2 emissions (g/km)	Fuel consumption			Weights (kg)		
						Urban	Extra Urban	Combined cycle	Gross train weight	Maximum payload	Kerb weight
SWB 9 SEAT	SL27dCi 90	SWB	Standard roof	9/8	199	31.7	41.5	37.6	4755	952	1883
	SL27dCi 115	SWB	Standard roof	9/8	199	31.7	41.5	37.6	4755	952	1883
	SL27dCi 115 Quickshift6	SWB	Standard roof	9/8	194	34.4	40.9	38.2	4770	953	1897
	SL29dCi 90	SWB	Standard roof	9/8	203	30.7	41.5	36.7	4840	1027	1893
	SL29dCi 115	SWB	Standard roof	9/8	203	30.7	41.5	36.7	4840	1027	1893
	SL29dCi 115 Quickshift6	SWB	Standard roof	9/8	199	33.2	40.4	37.7	4850	1022	1908
LWB 9 SEAT	LL29dCi 90	LWB	Standard roof	9/8	203	30.7	41.5	36.7	4960	1086	1954
	LL29dCi 115	LWB	Standard roof	9/8	203	30.7	41.5	36.7	4960	1086	1954
	LL29dCi 115 Quickshift6	LWB	Standard roof	9/8	199	33.2	40.4	37.7	4970	1082	1968

EQUIPMENT AND OPTIONS

	Standard 9 Seat SWB	Standard 9 Seat LWB
12V power point	<input type="radio"/>	<input type="radio"/>
16" alloy wheels	<input type="radio"/>	<input type="radio"/>
2 x 20W single CD MP3 radio with Bluetooth and multi-functional TunePoint	<input type="radio"/>	<input type="radio"/>
Air conditioning (1)	<input type="radio"/>	<input type="radio"/>
Air conditioning - front and rear and parcel shelf (1)	<input type="radio"/>	<input type="radio"/>
Airbag - front passenger with airbag deactivation and Electric Pack	<input type="radio"/>	<input type="radio"/>
Airbag - front passenger with airbag deactivation and Electric Pack 'One Touch'	<input type="radio"/>	<input type="radio"/>
Airbags - front lateral, curtain and front passenger with airbag deactivation and Electric Pack	<input type="radio"/>	<input type="radio"/>
Airbags - front lateral, curtain and front passenger with airbag deactivation and Electric Pack 'One Touch'	<input type="radio"/>	<input type="radio"/>
Airbags - rear, front lateral curtain, front passenger with airbag deactivation and Electric Pack	<input type="radio"/>	<input type="radio"/>
Airbags - rear, front lateral curtain, front passenger with airbag deactivation and Electric Pack 'One Touch'	<input type="radio"/>	<input type="radio"/>
Automatic headlights and wipers and front fog lights (2)	<input type="radio"/>	<input type="radio"/>
Carminat TomTom map upgrade (3)	<input type="radio"/>	<input type="radio"/>
Climate control - front and rear, heating additional to rear saloon area, parcel shelf and Electric Pack 'One Touch' (1)	<input type="radio"/>	<input type="radio"/>
Conversion interface box (2)	<input type="radio"/>	<input type="radio"/>
Cruise control (4)	<input type="radio"/>	<input type="radio"/>
Delete second and third row passenger seats	-	<input type="radio"/>
Delete third row passenger seats	<input type="radio"/>	<input type="radio"/>
Drivers armrest (with Blue Elba trim)	<input type="radio"/>	<input type="radio"/>
Drivers armrest (with Elba trim)	<input type="radio"/>	<input type="radio"/>
Electric Pack 'One Touch' **	<input type="radio"/>	<input type="radio"/>
Electric Pack*	<input type="radio"/>	<input type="radio"/>
ESP(Electronic Stability Programme) - load adaptive with understeer control (2) (5)	<input type="radio"/>	<input type="radio"/>
Front fog lights	<input type="radio"/>	<input type="radio"/>
Heat reflecting windscreen	<input type="radio"/>	<input type="radio"/>
Heating - additional to rear saloon area	<input type="radio"/>	<input type="radio"/>
Key - 3 button with selective opening (2)	<input type="radio"/>	<input type="radio"/>
Key - additional (third) and key - 3 button with selective opening	<input type="radio"/>	<input type="radio"/>
Luggage net	<input type="radio"/>	<input type="radio"/>
Metallic paint	<input type="radio"/>	<input type="radio"/>
Metallic paint with all round paint, Electric Pack 'One Touch' and front fog lights (7)	<input type="radio"/>	<input type="radio"/>
Metallic paint with all round paint, Electric Pack and front fog lights (7)	<input type="radio"/>	<input type="radio"/>
Metallic paint with part body coloured bumpers (7)	<input type="radio"/>	<input type="radio"/>
No Carminat TomTom navigation system (UK map)	<input type="radio"/>	<input type="radio"/>
Parcel shelf	<input type="radio"/>	<input type="radio"/>
Passenger seat - height adjustable single seat (8)	<input type="radio"/>	<input type="radio"/>
Pollen filter	<input type="radio"/>	<input type="radio"/>
Power take off - engine (1) (5)	<input type="radio"/>	<input type="radio"/>
Rear doors - 180° glazed	-	<input type="radio"/>
Rear parking sensors	<input type="radio"/>	<input type="radio"/>
Side loading doors - sliding left and right (glazed with window)	<input type="radio"/>	<input type="radio"/>
Smoker Pack	<input type="radio"/>	<input type="radio"/>
Speed limiter - engine 56mph (4)	<input type="radio"/>	<input type="radio"/>
Speed limiter - engine 62mph (4)	<input type="radio"/>	<input type="radio"/>
Speed limiter - engine 68mph (4)	<input type="radio"/>	<input type="radio"/>
Steering wheel - leather and cruise control (2)	<input type="radio"/>	<input type="radio"/>

EQUIPMENT AND OPTIONS

Tachograph - digital ilo Carminat TomTom navigation system and CD MP3 radio with Bluetooth (2) (6)	<input type="radio"/>	<input type="radio"/>
Tow bar	<input type="radio"/>	<input type="radio"/>
Trip computer	<input type="radio"/>	<input type="radio"/>

PACKS

Aircon + Pack	<input type="radio"/>	<input type="radio"/>
Key Pack	<input type="radio"/>	<input type="radio"/>

Aircon + Pack

- Air Conditioning
- Electrically operated and heated door mirrors
- Electric windows

Key Pack

- Electrically operated and heated door mirrors
- Key - 3 button with selective opening
- Electric window with 'One Touch' (driver's side only)
- Additional (third) key

- Aircon / climate control and power take off cannot be ordered together
- Cannot be ordered with Electric Pack / Aircon + Pack
- Not available at launch
- Engine speed limiters and cruise control cannot be ordered together
- Not available on Quickshift versions
- Tachograph will come with 2 x 15W single CD MP3 radio RDS with integrated display therefore clock/temperature will not be displayed
- Should be ordered with one of the following colours: 266, G64, C66, D68, D47 or D31
- In order to have the passenger armrest, you need to order driver armrest with 'Blue Elba' trim or 'Elba' trim

* Electric Pack = Electric front windows and door mirrors - electrically adjustable and heated

** Electric Pack 'One Touch' = Electric front windows with 'One Touch' (driver's side only) and door mirrors - electrically adjustable and heated

= Optional - = Not available

RENAULT PRO+, THE ONE-STOP SHOP FOR BUSINESS CUSTOMERS

A specialist centre dedicated to business customers

Renault has developed Renault Pro+ to enhance the services offered to business customers.

One stop shop: customised for your business activities

From helping you choose the most appropriate vehicles and then supporting your business throughout their lifetime, your Renault Pro+ centre has put in place all the personalised services and technical expertise that you will ever need.

Representatives in tune with your business

Whether you are looking for technical advice on commercial vehicles or financial advice for funding your fleet, our people will have the expertise to deliver the right solution for your business.

An improved service

The new Renault Pro+ centres will enable participating dealerships to deliver even greater standards of service quality for sales and aftersales to business customers including:

Vehicle Sales

- A large display of brand new and used vehicles including a selection of converted vehicles
- A wider choice of vehicles to test drive, usually available without appointment
- A business proposal within 48 hours, including funding options

Vehicle Aftersales

- Extended workshop times, reserved for business customers
- Within the hour diagnostics
- Maintenance without appointment during daily working hours
- Mobility solutions to keep your business moving

A total of 22 sites will be opening across the UK throughout 2009 and 2010. To get directions and contact details for Renault Pro+ dealers please go to www.renault.co.uk/pro+



WHO BETTER THAN RENAULT TO SERVICE YOUR RENAULT?

Your new Renault is covered by a 3-year warranty package – the first 2 years of unlimited mileage Renault manufacturer warranty, followed by a further year of cover up to 100,000 miles.† This requires full servicing history according to Renault UK approved current standards. Paintwork is also guaranteed for 3 years while the anti-corrosion warranty runs for 12 years (Master anti-corrosion warranty runs for 6 years). In addition, the Renault Assistance plan (via the AA) ensures prompt help in the UK and Northern Ireland for manufacturer defects for 24 months (36 months for light commercial vehicles, or cars registered before 1st September 2006).

FINANCE OPTIONS

There are a wide variety of ways in which the purchase of a new car can be financed. Renault Finance offers all of them, so whether you're a fleet buyer or a private buyer, Renault Finance is ideally placed to tell you which plan or combination of plans best suits your needs and circumstances.

SERVICE INTERVALS

12,600 miles / 2 years:

- Kangoo Van dCi 70 and 85 engines*

25,000 miles / 2 years:

- New Master all engines

18,000 miles / 2 years:

- Kangoo Van dCi 105
- Traffic all engines

18,000 miles / 1 year:

- Kangoo Van 1.6 16V engine

12,000 miles / 1 year:

- Kangoo Van 1.6 8V engine

ENGINES WITH OIL CONTROL SYSTEM (OCS)

Kangoo, Master and Traffic diesel engines. OCS monitors driving conditions that directly affect the quality of your engine oil, protecting your engine from excessive wear and possible bearing failure. Under certain conditions; low speeds, traffic jams, door-to-door deliveries (engine turning with little distance travelled) or in high gear for long periods e.g. sport driving, towing a caravan/trailer over 500kg (engine turning at higher revolutions) the vehicle's service interval may be shortened and you will be alerted, via the instrument panel service indicator, that a Renault Service is required earlier (refer to driver's handbook for details).

EXTENDING YOUR WARRANTIES AND COVER

Renault Extended Warranty allows you to extend your Renault Warranty up to 5 years or 80,000 miles.

Renault Assistance Added Cover provides you with additional cover for incidents not covered by Renault Assistance: punctures, incorrect (or lack of) fuel, keys lost, stolen or locked inside the vehicle and incidents involving caravans or trailers.

For full information on these products please ask your Renault Dealer or log on to www.renault.co.uk and click on 'Owner Services', where you can also buy securely online.

SERVICE PLANS

Renault Service Plans are available on new and used vehicles# and allow you to budget for your vehicle's servicing with convenient payment options and inflation proof pricing. For more information please ask your Renault Dealer or log on to www.renault.co.uk and click on 'Owner Services'.

participating dealers only

RENAULT NETWORK SERVICES

No-one is better placed than Renault to maintain, fit and repair your Renault, fast. The Renault Minute (maintenance and repair with no appointment necessary) and Renault

Rapide Bodycare (bumper scuffs, dings and dents, windscreen, stone chips and interior repairs...) services deliver the highest level of repair and maintenance and offer a full year's guarantee on Original Renault Parts. And don't forget to have a look at our wide range of additional equipment and accessories!

RENAULT VAN INSURANCE

Not just a solution, *the* solution.

A van as well designed as your Renault deserves an insurance policy to match. Renault Van Insurance has been specifically created to provide superb protection for you and your van. In addition to a very competitive premium, Renault Van Insurance also includes: a free 24 hour Accident Recovery Helpline; your van returned to its pre-accident condition; a like for like replacement if written off in first 12 months of registration; signage cover included in your premium; windscreen cover; repairs carried out by Renault Approved Repair Centres using only genuine Renault Parts. Renault Van Insurance offers unbeatable protection, only fitting genuine Renault replacement parts at Renault Approved Accident Repair Centres to preserve the safety found in all our vehicles.

RENAULT VAN INSURANCE

Call

0845 603 8258

for a quote and instant cover
or visit

www.renaultvaninsurance.co.uk

All quotes are based on individual circumstances and are subject to insurers underwriting criteria. Terms and conditions apply. Renault Insurance is arranged and administered by Equity Insurance Brokers Limited which is authorised and regulated by the Financial Services Authority.

Registered Address: Library House, New Road, Brentwood, Essex CM14 4GD. Registered in England No: 258414.

CUSTOMER SERVICES

Renault knows the value of communicating with its customers and we have established effective ways to keep in touch with you. If after speaking to your local Renault dealership you are not completely satisfied, please contact the Renault UK Customer Service Department on **0800 072 3372** (Mon-Fri 8.30am to 5.30pm).

You can also visit our website www.renault.co.uk Or write to us at: **Renault UK Ltd, The Rivers Office Park, Denham Way, Maple Cross, Rickmansworth, Hertfordshire, WD3 9YS.**

RENAULT TRAFIC PASSENGER VEHICLE



(Enter Renault's world at Sky Guide 883 and www.renault.tv)